

AC SERVO PRESS

Low-Force 2kN Model MS02 !

Patent: No. 4860684



■ Main Features

1. Smallest and lightest compact size in the industry
2. Built-in load cell and push/pull bidirectional load control
3. Constant load-holding capability due to very low speed operation
4. Maximum speed of 225 mm/s provides reduced cycle time.
5. Highly flexible programming provides operation to suit any purpose.

Low-force AC Servo Press with the smallest and lightest compact design in the industry

Applications

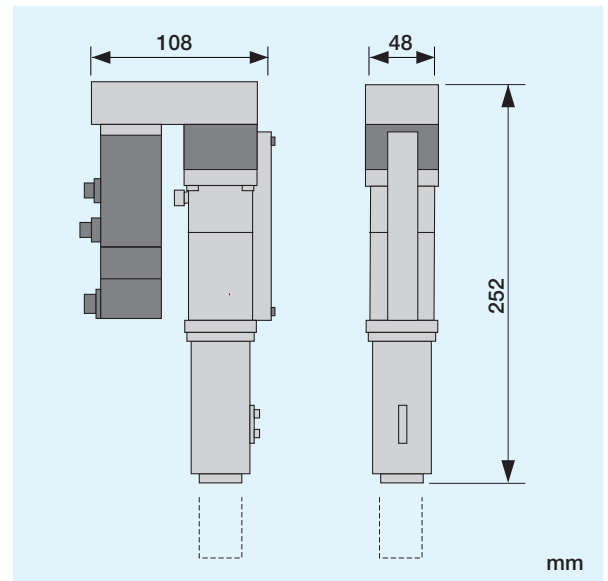
Plastic/film forming and deposition	Food packaging
Press-fitting of metal and plastic parts	Electronic parts assembly
Powder molding	Mold and lead forming for electronic parts

Specifications

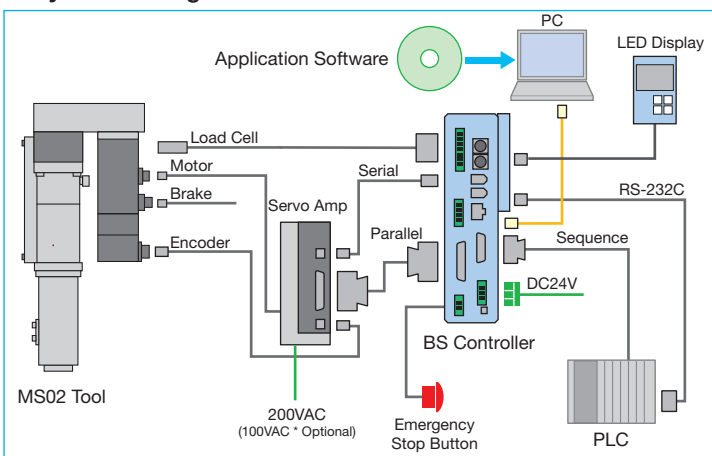
Model No.	MS02-100B
Momentary max. force	2 kN
Applicable force *1	1.5 kN
Max. stroke	100 mm
Max. speed	225 mm/s
Load cell accuracy	±1.5% @Load cell FS
Positional repeatability	±0.01 mm (under identical conditions)
Ambient temp./humidity	0 to 45°C / 85% or less (with no condensation)
Max. power capacity	0.3 kVA
Weight	3.5 kg

*1 This is a recommended operating force in consideration of mechanical life.

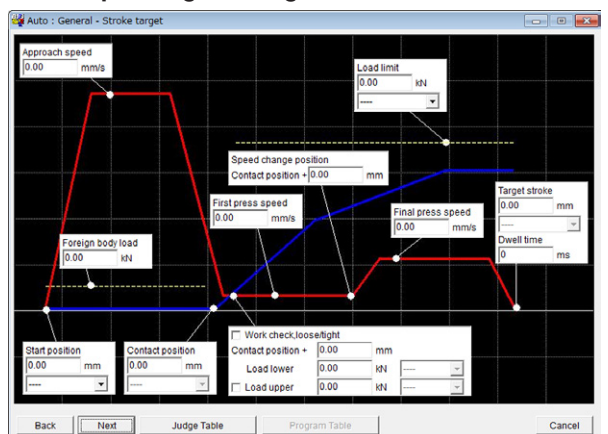
Tool Dimensions



System Configuration



Example Programming Screen



* Please note that catalog contents are subject to change without prior notice due to product improvements.